

Rack Mounted Guard



Flexible solution to protect your racking and its contents.

Our Rack Mounted Guard is an easy-to-install, high-strength solution to protect your racking & its contents. The polyethylene body provides strength and durability to absorb impacts and is flexible to suit a variety of racking sizes. Just wrap the velcro straps around the racking leg and you're done.

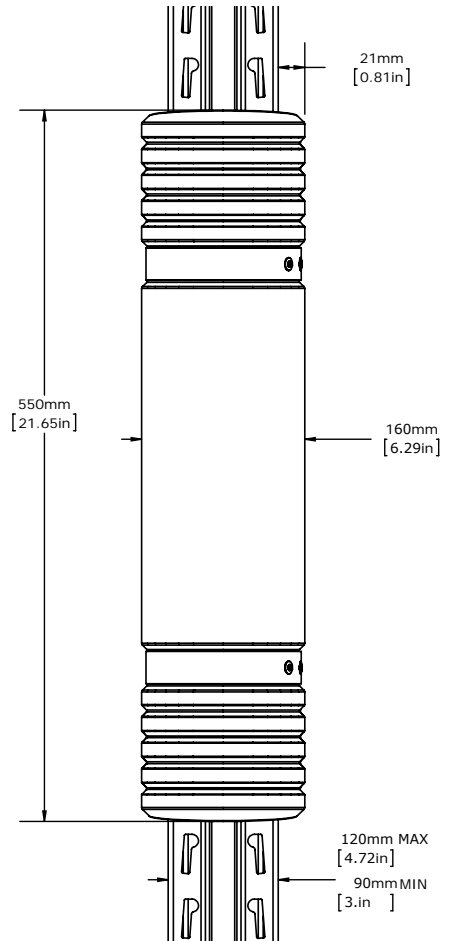
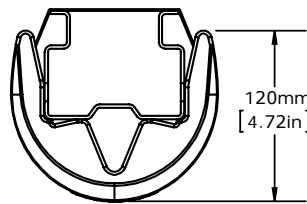
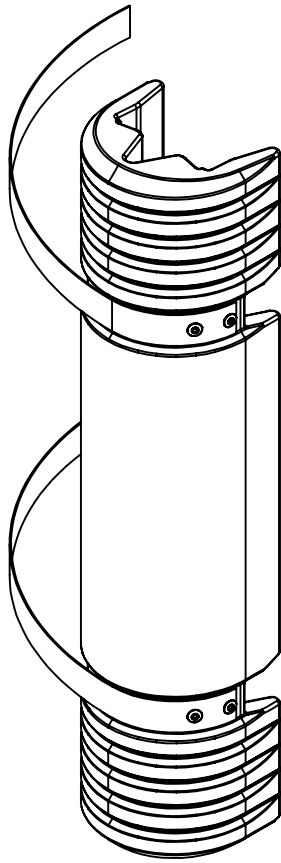
Energy Absorbing Design Polyethylene body flexes open to absorb impact energy

Adjustable Protects a variety of rack sizes from 90mm to 120mm

Quick Installation Quick and easy installation using velcro fastener straps



Rack Mounted Guard



Rack Mounted Guard Kit RACK-GARD-120RM-YEL

Materials: Polyethylene body, hook & loop straps



Rack Mounted Guard

Polyethylene body designed to absorb impact.

The Rack Mounted Guard exceeded impact requirements of EN 15512.



Report #439402-1

For more information go to mccue.com